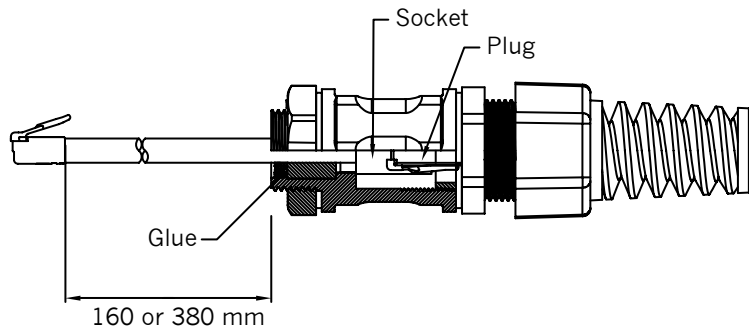


# TW-RJ45

RJ45 waterproof Connector system

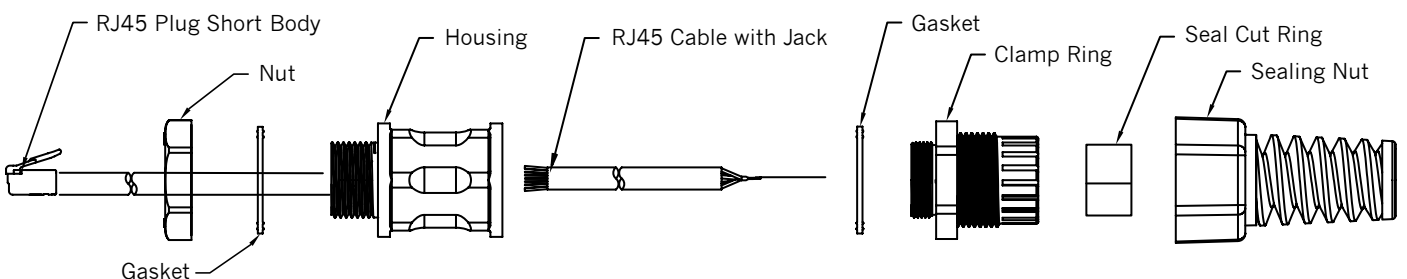


RJ45 is a field replaceable outdoor ethernet connection system for high speed 10BaseT, 100BaseT and 1000BaseT networks. RJ45 is the best Ethernet connector system for wireless outdoor enclosures, waterproof and easy removable. The optimal connection system for wireless equipment, video surveillance equipment and indoor applications.



IP68 sealing ability of the RJ45-ECS connector system provides reliable connections for many years, even in harsh environments. The Cat5e cable with 8 pin short body connectors provide maximum shielding against external EMI for consistent data communications.

For ultimate wireless systems, the quick disconnect feature allows for ready replacement of rooftop equipment, to minimize downtime for the customer and increase operator profitability and satisfaction. It is available with two different lengths: 16cm & 38cm



## Applications

- Wireless base stations
- Telecom equipment
- Wireless client radios
- 802.11 a/b/g wireless systems
- Direct burial equipment
- Industrial process control
- Factory automation
- IP Cameras



## Technical specification

<b>Data</b>	10BaseT, 100BaseT and 1000 BaseT Net-works Cat5e RJ45	
<b>Mechanical</b>	Mating Cycles >500 Cat5 Cable Short Body shielded RJ45 Connector	
<b>Material</b>	UV Resistant Nylon and ABS	
<b>Sealing</b>	IP68	
<b>Temperature Range</b>	-40°C to + 60°C	
<b>Hole Diameter</b>	20 mm	
<b>SFTP Patch Cable (L)</b>	380 mm	160 mm
<b>Weight</b>	78 g	58 g
<b>Code</b>	TW-RJ45-380	TW-RJ45-160

