



t o **w** n e t<sup>®</sup>

# 55-9-24-DUAL

Parabolic antenna 24dB Dual Pol

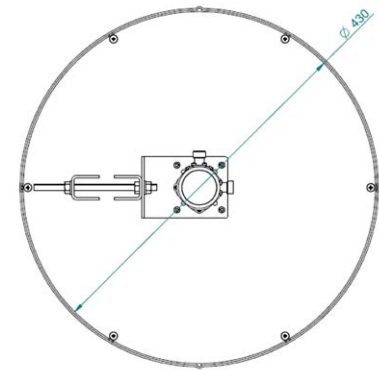
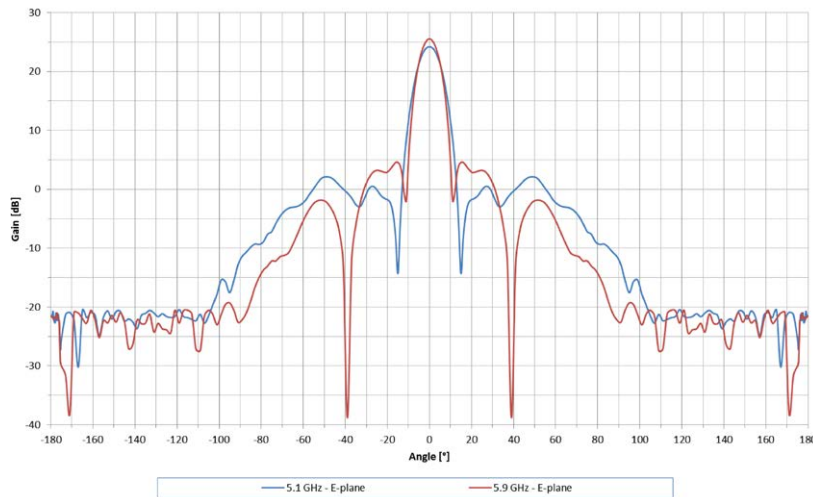
## Electrical Specification

Frequency range	4.9-6.1 GHz
Gain	24.5 ± 1dBi
VSWR	≤ 1.6
Polarization	Linear, Vertical/Horizontal or 45°
Beamwidth	9°
Port to Port isolation	≥ 50 dB (typ. 53dB)
Front to back Ratio	≥ 44 dB

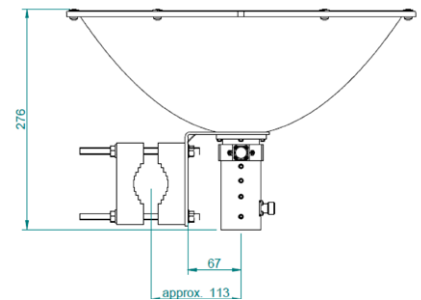
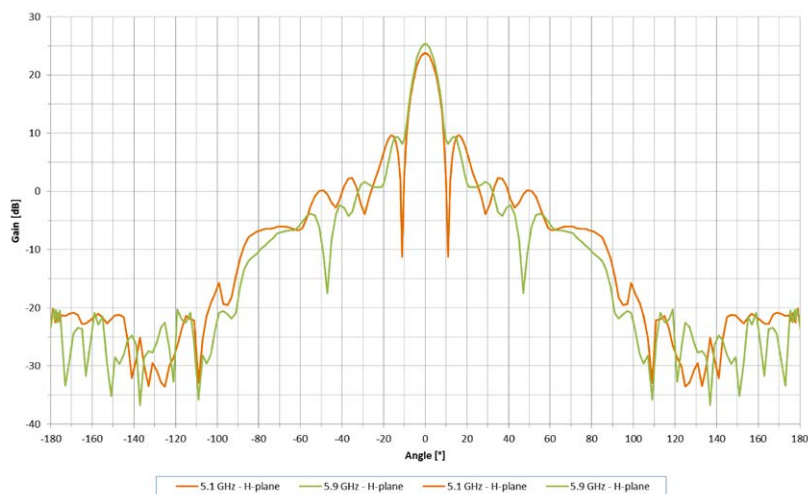
## Mechanical Characteristics

Parabola	Ø 400 mm, Aluminium alloy
Radome	UV steady plastic ABS
Type of connector	N-female, R-SMA
Installation for mast	Ø 27 - 74 mm
Weight	2.5 kg (5.5 lbs.)
Shipping dimensions 2 pcs	460 x 460 x 190 mm/5.7 kg

## E Plane



## H Plane



t o **w** n e t<sup>®</sup>

