



t o **w** n e t[®]

55-5.8-29-DUAL P

Parabolic antenna 29dB Dual Pol

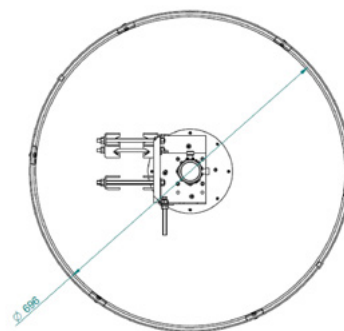
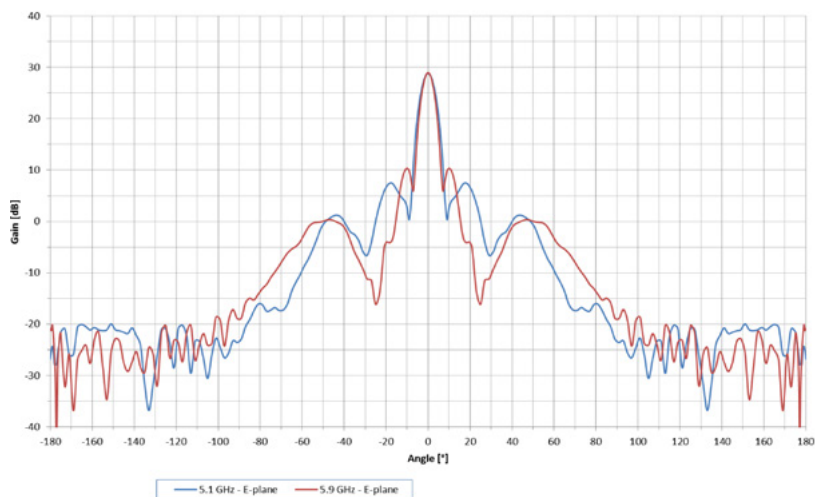
Electrical Specification

| | |
|------------------------|------------------------------------|
| Frequency range | 4.9-6.1 GHz |
| Gain | 29 ± 1dBi |
| VSWR | ≤ 1.6 |
| Polarization | Linear, Vertical/Horizontal or 45° |
| Beamwidth | 5.5° |
| Port to Port isolation | ≥ 50 dB (typ. 53dB) |
| Front to back Ratio | ≥ 49 dB |

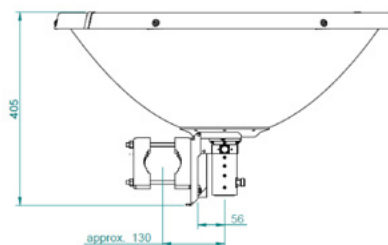
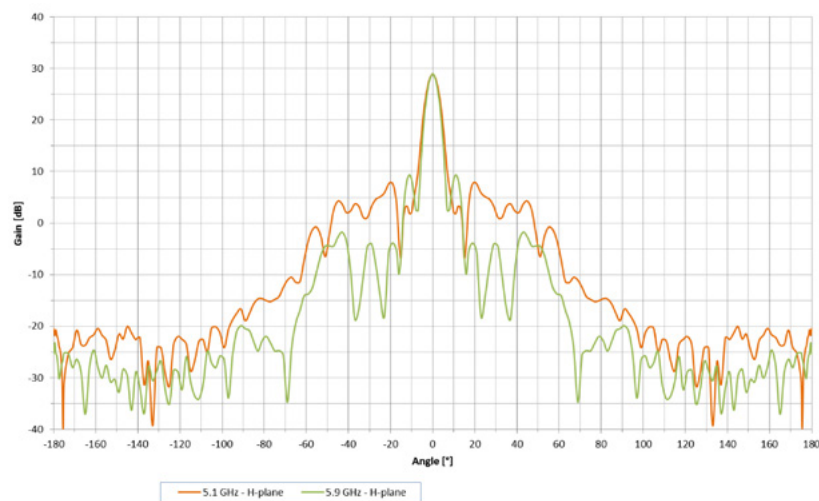
Mechanical Characteristics

| | |
|---------------------------|----------------------------|
| Parabola | Ø 680 mm, Aluminium alloy |
| Radome | UV steady plastic ABS |
| Type of connector | N-female, R-SMA |
| Installation for mast | Ø 27 - 74 mm |
| Weight | 6.1 kg (13.4 lbs.) |
| Shipping dimensions 2 pcs | 810 x 790 x 340 mm/15.9 kg |

E Plane



H Plane



t o **w** n e t[®]

